

NYSCO SAS-37

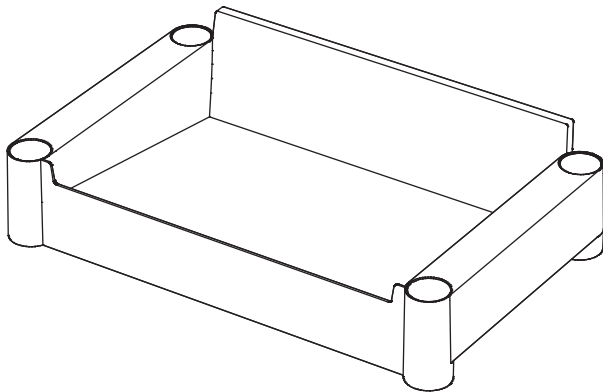
9 1/2" x 14 3/8" Shelf Merchandiser

(240 mm x 365 mm)



A PROVEN DISPLAY SYSTEM

- Sets up in minutes - no tools needed
- Requires only 1.35 square feet (.125 sq. meter) of floor space
- Footprint: 11" d x 17 5/8" w (280mm x 448mm)
- Variable clearance to accommodate any product height
- Printed shelves and header cards available
- Any color shelves and uprights



9 1/2" x 14 3/8" (240mm x 365mm)
STANDARD UNIT - 5 SHELVES

Usable shelf dimensions: 9 1/2" x 14 3/8" (240mm x 365mm)

Silk screen printing area: Front: 10" x 2 1/4" (254mm x 57mm)

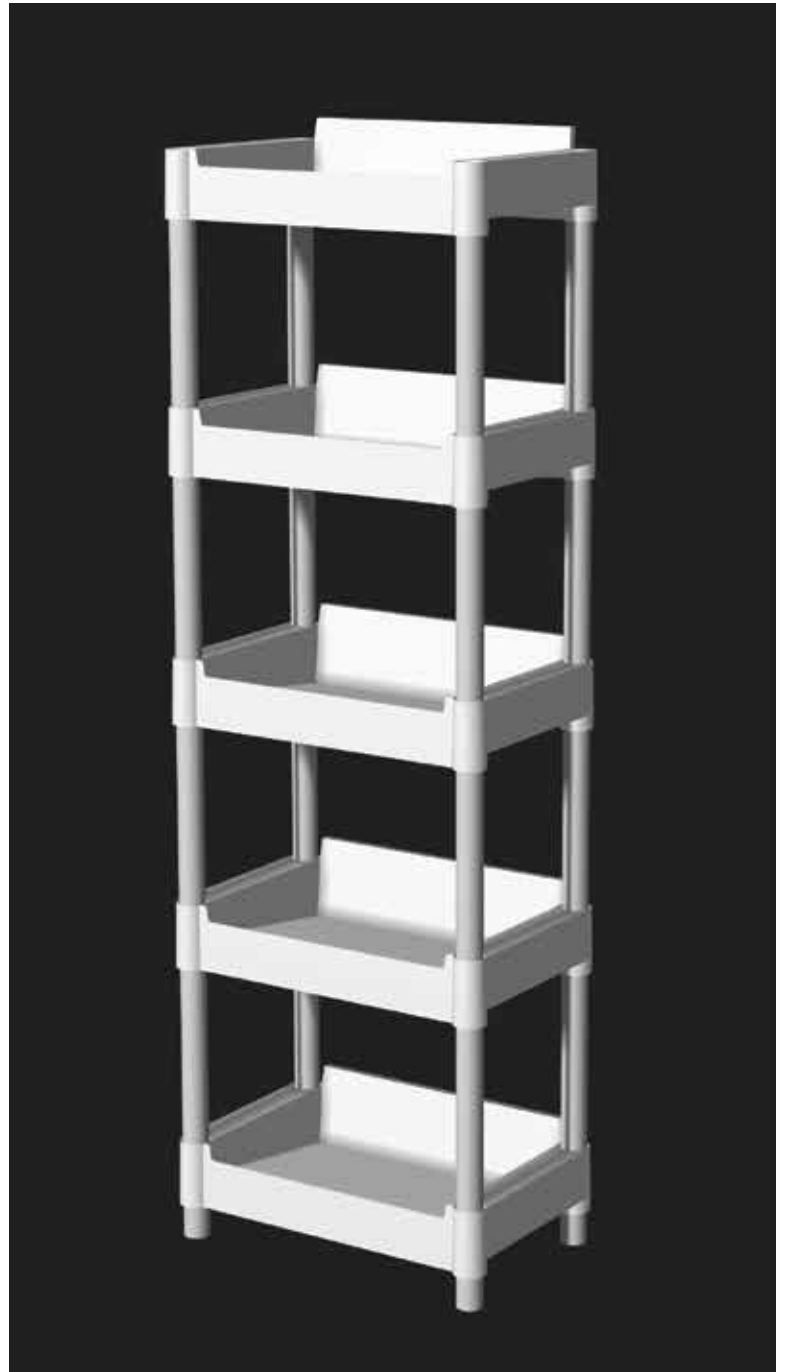
Side: 7" x 2 1/4" (178mm x 57mm)

Injection molded hi-impact polystyrene

Standard five shelf units ship K.D. in cartons

For carton size & weight info contact us

Ships from Hawthorne, NY



CALL FOR QUOTES

NYSCO
NYSCO PRODUCTS LLC

211 Saw Mill River Road, Hawthorne, NY 10532

(718) 792-9000

Contact Us: info@nysco.com

Find this page on our web site: www.nysco.com