

NYSKO SAS-3

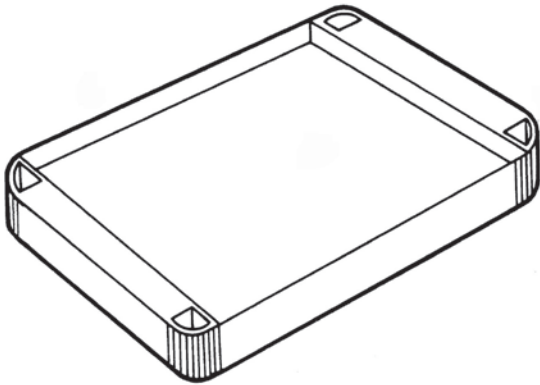
10¹/₈" x 15¹/₂" Shelf Merchandiser

(257 mm x 394 mm)



A PROVEN DISPLAY SYSTEM

- Sets up in minutes - no tools needed
- Quarter round uprights provide great strength and saves space
- Requires only 1.3 square feet (.12 sq. meter) of floor space
- Footprint: 10 1/2" d x 18 1/4" w (267mm x 464mm)
- Variable clearances to accommodate any product height
- Printed shelves and header cards available
- Any color shelves and uprights



10 1/8" X 15 1/2" (257 mm X 394 mm)
STANDARD UNIT- 5 SHELVES

Usable shelf dimensions: 10 1/8" x 15 1/2" (257mm x 394mm)

Silk screen printing area: Front 15 1/2" x 1 7/8" (394mm x 48mm)
Side 7 1/2" x 1 7/8" (191mm x 48mm)

Injection molded hi-impact polystyrene

Standard five shelf units ship K.D. in cartons
For carton size & weight info contact us

Ships from Hawthorne, NY



CALL FOR QUOTES

NYSKO
NYSKO PRODUCTS LLC

211 Saw Mill River Road, Hawthorne, NY 10532
(718) 792-9000

Contact Us: info@nysco.com

Find this page on our web site: www.nysco.com