

NYSKO SAS-28W

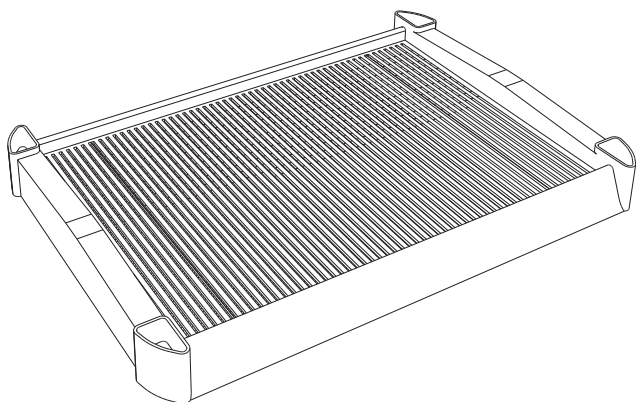
12¹/₄" x 18³/₈" Shelf Merchandiser

(311 mm x 467 mm)



A PROVEN DISPLAY SYSTEM

- Sets up in minutes - no tools needed
- Requires only 2.1 square feet (.19 sq. meter) of floor space
- Footprint: 14 1/2" d x 21" w (368mm x 533mm)
- Variable clearances to accommodate any product height
- Printed shelves and header cards available
- Any color shelves and uprights



12 1/4" x 18 3/8" (311mm x 467mm)
STANDARD UNIT- 5 SHELVES

Usable shelf dimensions: 12 1/4" x 18 3/8" (311mm x 467mm)

Silk screen printing area: Front: 13" x 1 1/2" (330mm x 38mm)

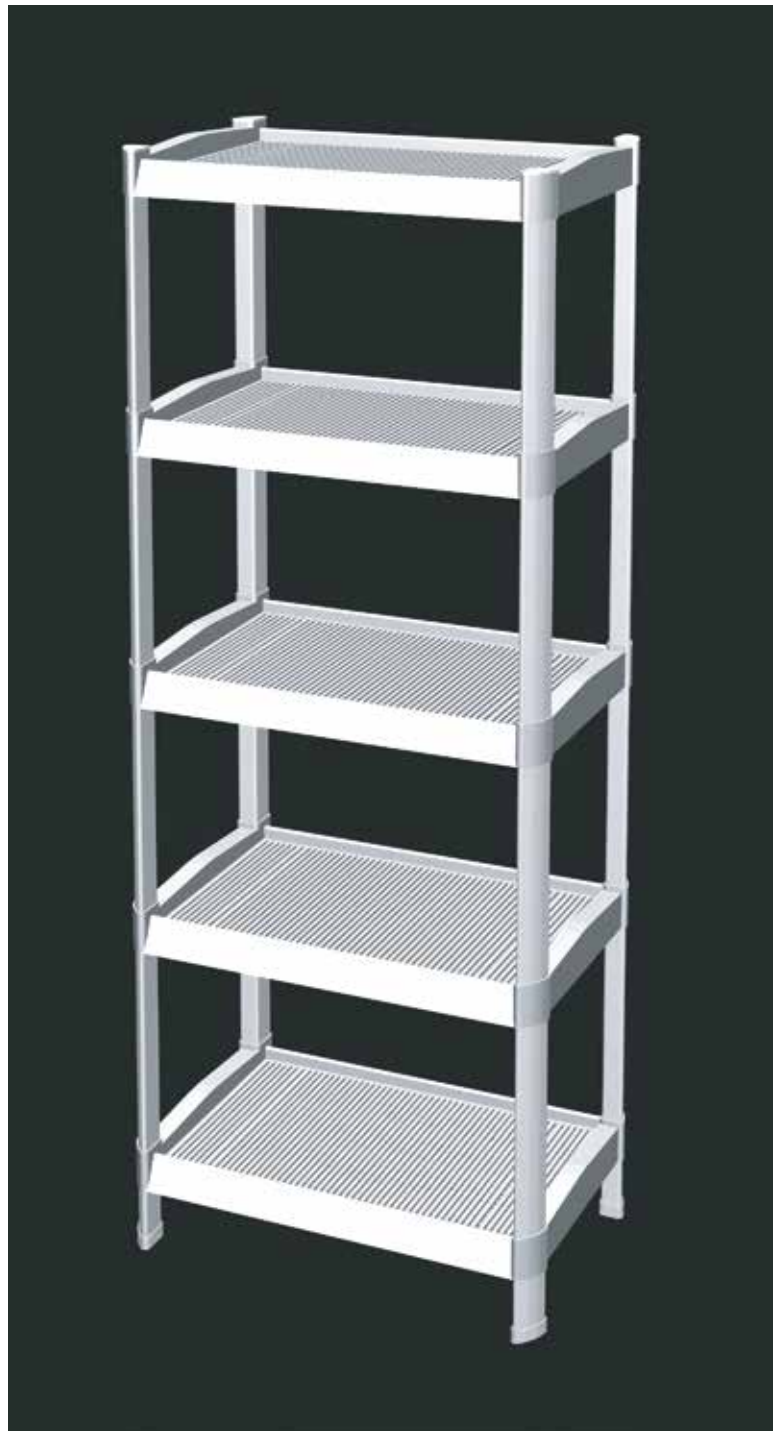
Side(Approx.): 7" x 1 1/2" (178mm x 38mm)

Injection molded hi-impact polystyrene

Standard five shelf units ship K.D. in cartons

For carton size & weight info contact us

Ships from Hawthorne, NY



CALL FOR QUOTES