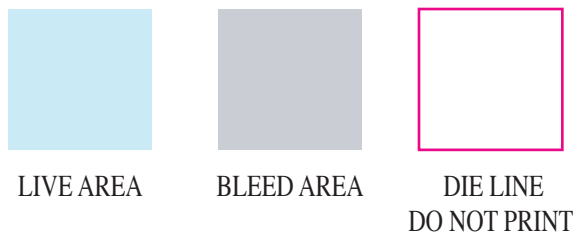
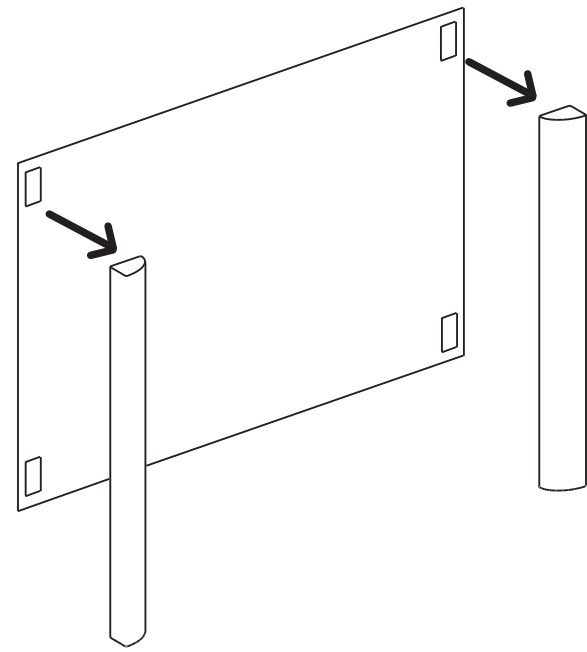


**SAS 12 TAPE ON FRONT HEADER - REG**  
**LIVE AREA - 15 1/4" W X 12" H**

**NYSCO**  
NYSCO PRODUCTS LLC  
**NYSCO Products, LLC**  
211 Saw Mill River Road,  
Hawthorne, NY 10532  
718-792-9000  
[www.nysco.com](http://www.nysco.com)



**HORIZONTAL BLEED ADD 1/4" LEFT & RIGHT**  
**VERTICAL BLEED ADD 1/4" TOP & BOTTOM**  
**OVER ALL SHEET SIZE - 18" W X 12" H**  
**SUBSTRATE - .048 SBS**  
**SCALE - FULL SIZE**



**FRONT VIEW OF TAPE ON BACK HEADER**