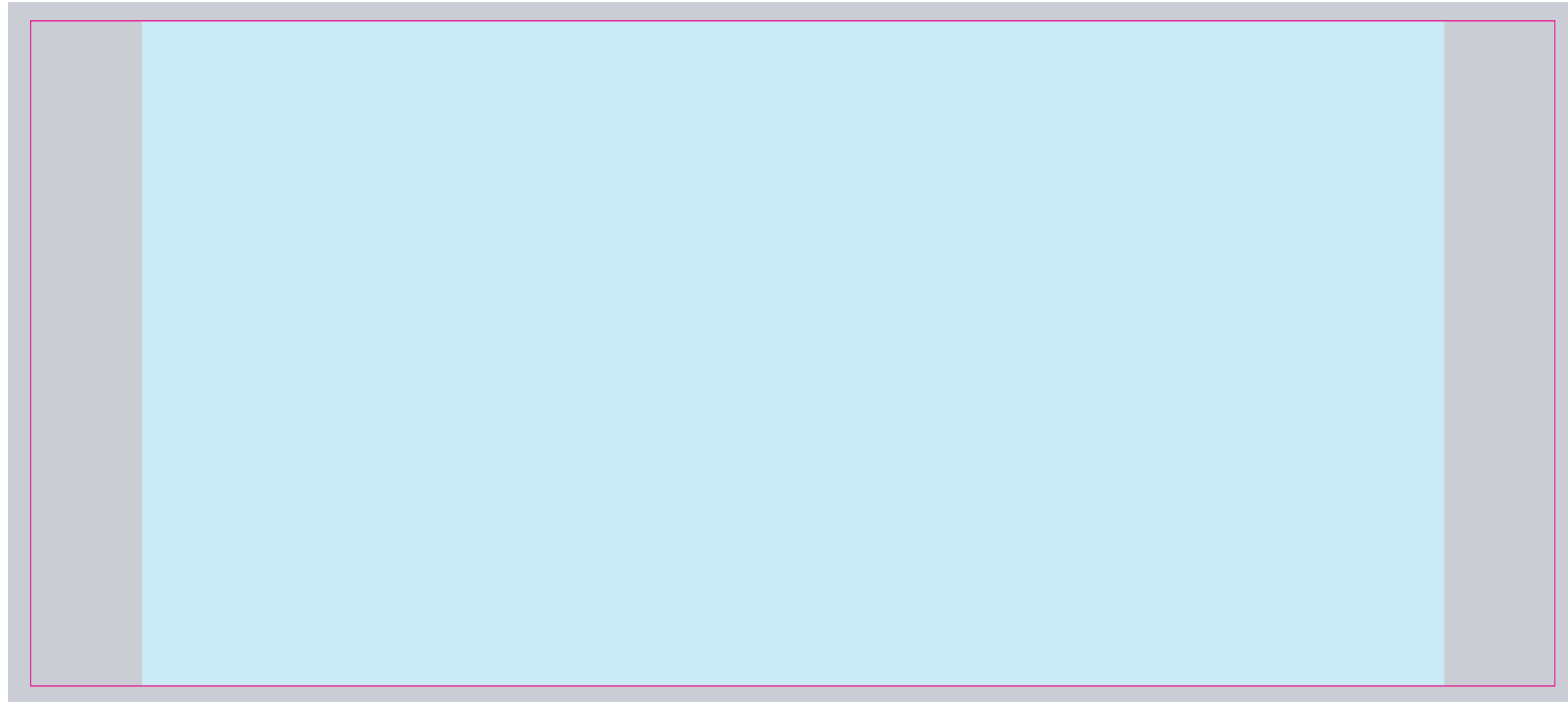
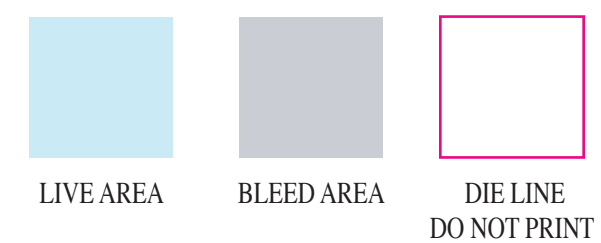


# SAS 33 SLOTTED HEADER - REG

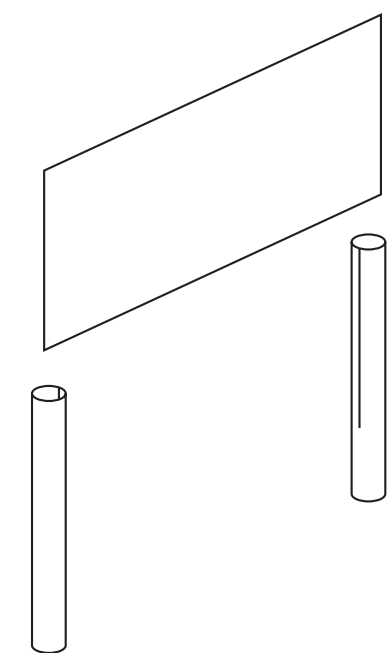
## LIVE AREA - 17 5/8" W X 9" H



**NYSCO**  
NYSCO PRODUCTS LLC  
NYSCO Products, LLC  
211 Saw Mill River Road,  
Hawthorne, NY 10532  
718-792-9000  
[www.nysco.com](http://www.nysco.com)



**HORIZONTAL BLEED ADD 1 3/4" LEFT & RIGHT**  
**VERTICAL BLEED ADD 1/4" TOP & BOTTOM**  
**OVER ALL SHEET SIZE - 20 5/8" W X 9" H**  
**SUBSTRATE - .048 SBS**  
**SCALE - FULL SIZE**



**FRONT VIEW OF SLOTTED HEADER**