

NYSCO SAS-15

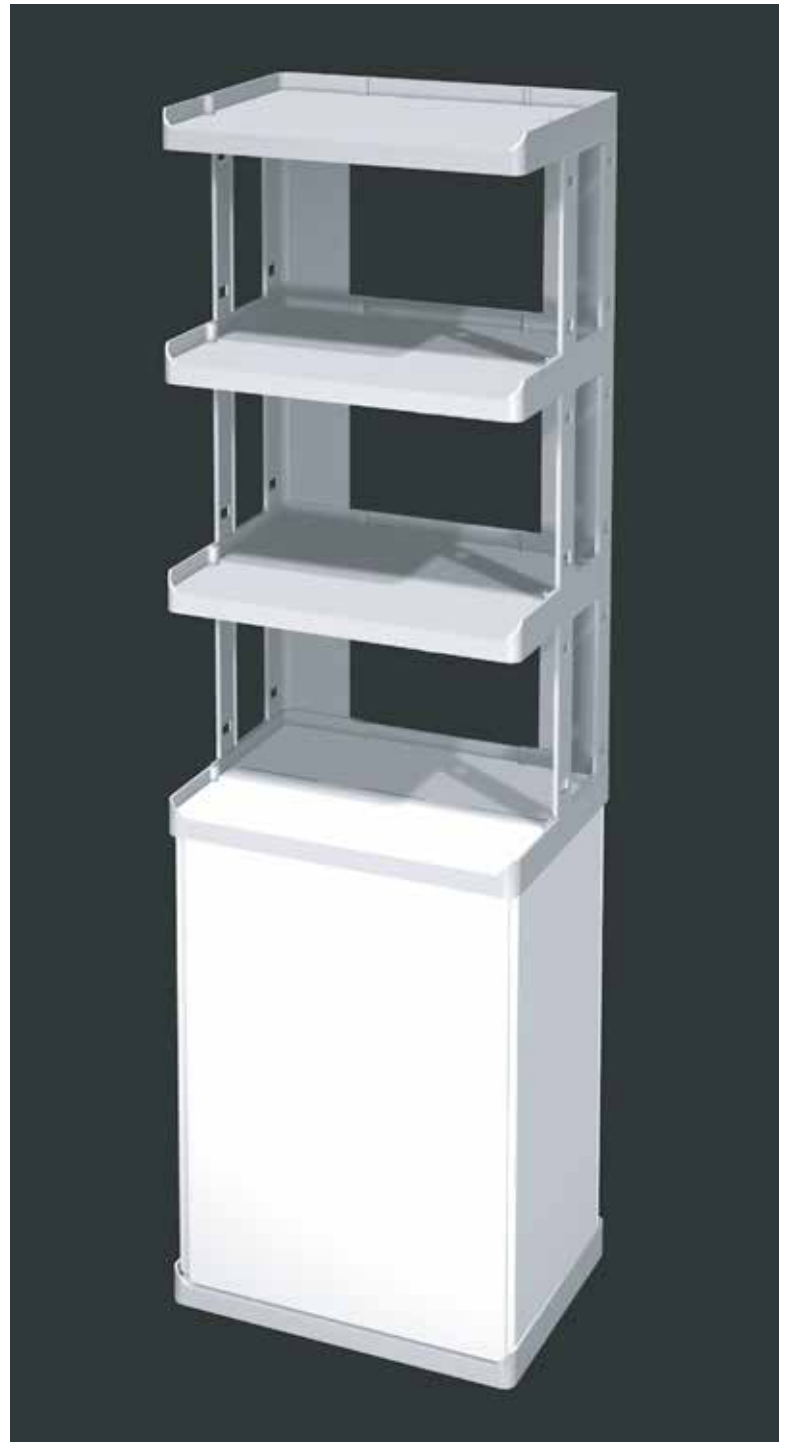
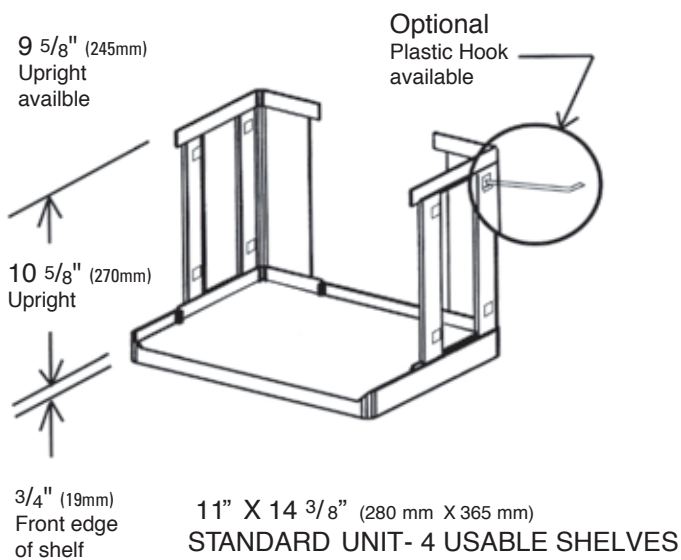
11" x 14³/₈" Shelf Merchandiser

(280 mm x 365 mm)



A PROVEN DISPLAY SYSTEM

- Sets up in minutes - no tools needed
- Requires only 1.20 square feet (0.1 sq. meter) of floor space
- Footprint: 11 ³/₈" d x 15 ¹/₈" w (289mm x 384mm)
- Clearance available to accommodate up to 9 1/2" product height
- Printed shelves and header cards available
- Any color shelves and uprights
- Shelves and upright also available in clear



Usable shelf dimensions: 11" x 14 ³/₈" (280 mm x 365 mm)

Silk screen printing area: Front 13 ³/₄" x ⁵/₈" (350mm x 16mm)

Injection molded hi-impact polystyrene with reinforced tag-stock base

Overall height of five shelf display 51" (130cm) plus header

Standard four usable shelf units ship K.D. in cartons. For carton size & weight info contact us

Ships from Hawthorne, NY

Printed base and header available

CALL FOR QUOTES