

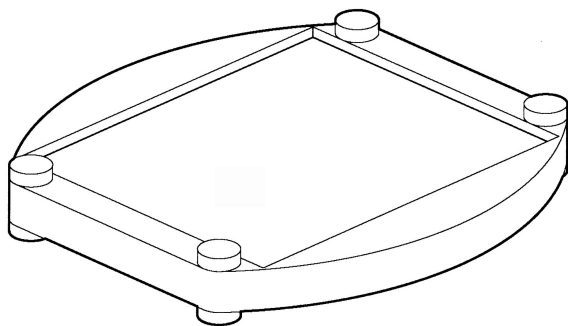
NYSCO SAS 19

15 1/8" X 18 1/8" Shelf Merchandiser

(384 mm x 460 mm)

A PROVEN DISPLAY SYSTEM

- Sets up in minutes - no tools needed
- Requires only 3.2 square feet (.3 sq. meter) of floor space
- Footprint: 21" d x 22" w (533mm x 560mm)
- Variable clearances to accommodate any product height
- Printed shelves and header cards available
- Any color shelves and uprights
- Available in transparent material



15 1/8" x 18 1/8" (384mm x 460mm)
STANDARD UNIT - 5 SHELVES

Usable shelf dimensions: 15 1/8" x 18 1/8" (384mm x 460mm)

Injection molded hi-impact polystyrene

Silk screen printing area: Arched surface: 12" x 1 3/4"
(305 mm x 44 mm)

Top flat surface: 5 1/2" x 2 1/8"
(139 mm x 54 mm)

Side: 11" x 1 3/4" (280 mm x 44 mm)

Standard five shelf units ship K.D. in cartons
approximately 25" x 24" x 19 1/2" (LxWxH)
(635mm x 610mm x 495mm)

Weight per carton approximately 25 lbs. (11.3 kg.)

F.O.B. Bronx, NY

CALL FOR INSTANT QUOTATIONS

