

NYSKO SAS-18

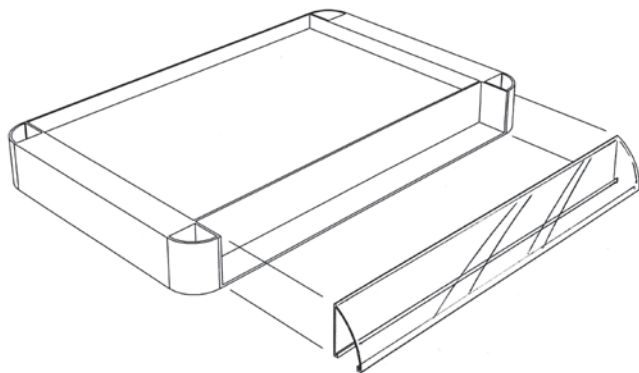
10¹/₂" x 16" Shelf Merchandiser

(267 mm x 406 mm)



A PROVEN DISPLAY SYSTEM

- Sets up in minutes - no tools needed
- Quarter round uprights provide great strength and saves space
- Requires only 1 1/2 square feet (.4 sq. meter) of floor space
- Footprint: 12 1/8" d x 19" w (308mm x 483mm)
- Variable clearances to accommodate any product height
- Printed shelves and header cards available
- Any color shelves and uprights
- Transparent graphic channel



10 1/2" x 16" (267mm x 406mm)
STANDARD UNIT- 5 SHELVES

Usable shelf dimensions: 10 1/2" x 16" (267mm x 406mm)
Overall size 12" x 18 3/4" (305 mm x 476 mm)

Injection molded hi-impact polystyrene

Graphic insert area: 16" x 2 3/16" (406mm x 56mm)

Silk screen printing area: Front: 13" x 1" (330mm x 25mm)
Side: 9" x 1 7/8" (229mm x 48mm)

Standard five shelf units ship K.D. in cartons
For carton size & weight info contact us

Ships from Hawthorne, NY



CALL FOR QUOTES