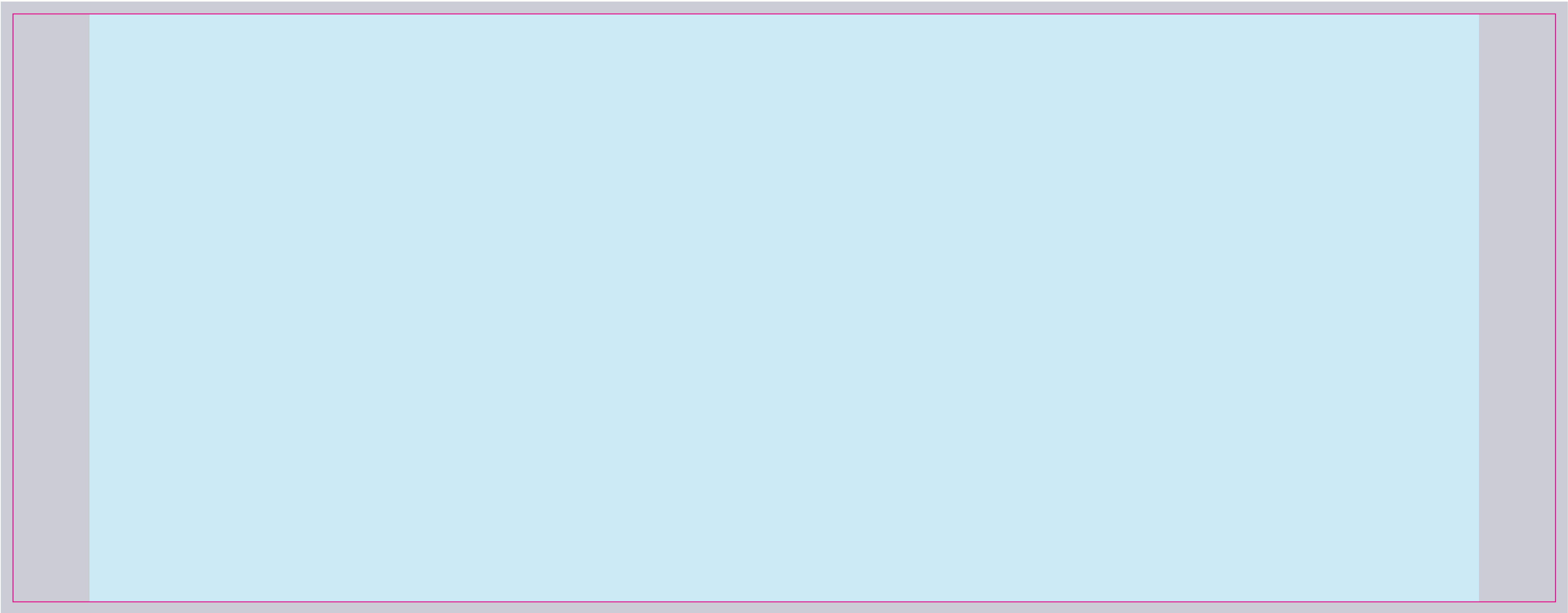


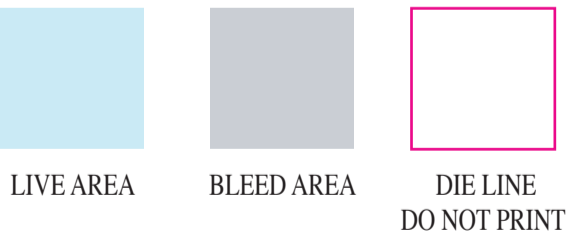
**SAS 38 SLOTTED HEADER
SHORT SIDE
LIVE AREA - 28 3/8" W X 12" H**



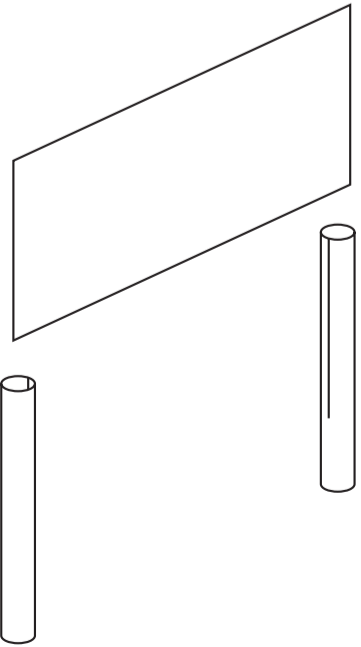
NYSCO

NYSCO PRODUCTS LLC

NYSCO Products, LLC
211 Saw Mill River Road,
Hawthorne, NY 10532
718-792-9000
www.nysco.com



**HORIZONTAL BLEED ADD 1 3/4" LEFT & RIGHT
VERTICAL BLEED ADD 1/4" TOP & BOTTOM
OVER ALL SHEET SIZE - 31 1/2" W X 12" H
SUBSTRATE - .036 SBS
SCALE - FULL SIZE**



FRONT VIEW OF SLOTTED HEADER