

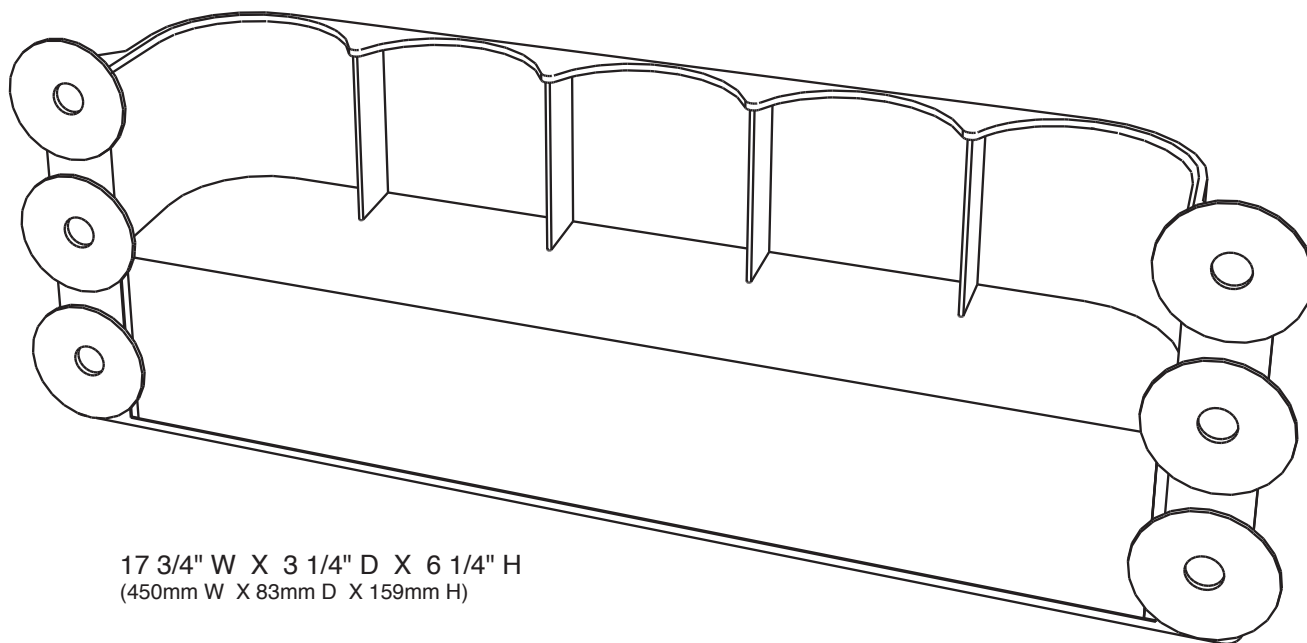
NYSKO BV-2

Cooler Door Shelf



Increase the visibility of self serve cold product

- Easy to install
- Durable clear plastic construction
- Fits inside most refrigerated cooler doors
- Printed labels available
- Holds 5 of the following bottles or cans:
 - 16 oz. glass bottle
 - 20 oz. plastic and glass bottle
 - 24 oz. can
 - 24 oz. sport bottle
- 2 5/8" - 2 7/8" (67mm - 73mm) diameter of products



17 3/4" W X 3 1/4" D X 6 1/4" H
(450mm W X 83mm D X 159mm H)

Label size: 14 1/2" W X 2 5/8" H (369mm W X 67mm H)

Injection molded clear plastic

Packs 10 per carton

Approximate carton size - 18" W X 20" D X 6 1/2" H (457mm W X 508mm D X 165mm H)

Weight per carton approximately 10 lbs (4.54k.g.)

Ships from Hawthorne, NY

CALL FOR QUOTES