

NYSCO SAS-35

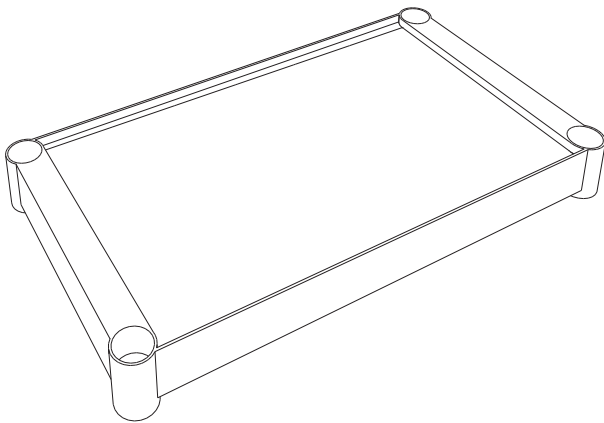
14" x 22 1/2" Shelf Merchandiser

(356 mm x 572 mm)



A PROVEN DISPLAY SYSTEM

- Sets up in minutes - no tools needed
- Requires only 2.7 square feet (.25 sq. meter) of floor space
- Footprint: 26 3/8" d x 14 3/4" w (670mm x 375mm)
- Variable clearances to accommodate any product height
- Printed shelves and header cards available
- Any color shelves and uprights



14" x 22 1/2" (356mm x 572mm)
STANDARD UNIT- 4 SHELVES

Usable shelf dimensions: 14" x 22 1/2" (356mm x 572mm)

Silk screen printing area: Front: 19 1/2" x 21 1/4" (495mm x 57mm)
Side: 8" x 2 1/4" (203mm x 57mm)

Injection molded hi-impact polystyrene

Standard four shelf units ship K.D. in cartons
For carton size & weight info contact us

Ships from Hawthorne, NY



CALL FOR QUOTES