

# NYSCO SAS-26

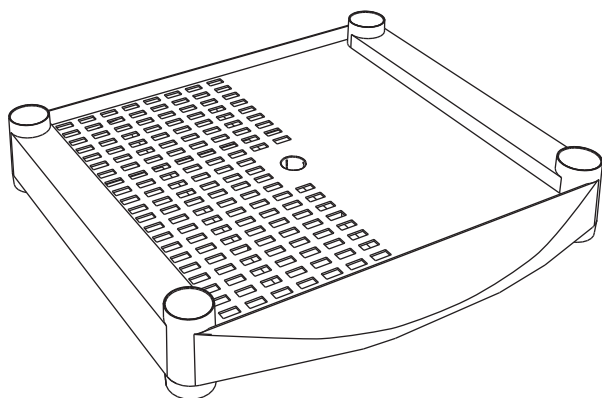
## 16 1/2" x 16 1/2" Shelf Merchandiser

(419 mm x 419 mm)



### A PROVEN DISPLAY SYSTEM

- Sets up in minutes - no tools needed
- Requires only 2.75 square feet (.28 sq. meter) of floor space
- Footprint: 19 3/4" d x 20 1/4" w (500mm x 514mm)
- Variable clearances to accommodate any product height
- Printed shelves and header cards available
- Any color shelves and uprights



16 1/2" x 16 1/2" (419mm x 419mm)  
STANDARD UNIT- 4 SHELVES



Usable shelf dimensions: 16 1/2" x 16 1/2" (419mm x 419mm)

Silk screen printing area: Front: Call for info.  
Side 13 1/2" x 2" (343mm x 51mm)

Injection molded hi-impact polystyrene

Standard four shelf units ship K.D. in cartons

For carton size & weight info contact us

Ships from Hawthorne, NY

CALL FOR QUOTES

**NYSCO**  
NYSCO PRODUCTS LLC

211 Saw Mill River Road, Hawthorne, NY 10532

(718) 792-9000

Contact Us: [info@nysco.com](mailto:info@nysco.com)

Find this page on our web site: [www.nysco.com](http://www.nysco.com)