

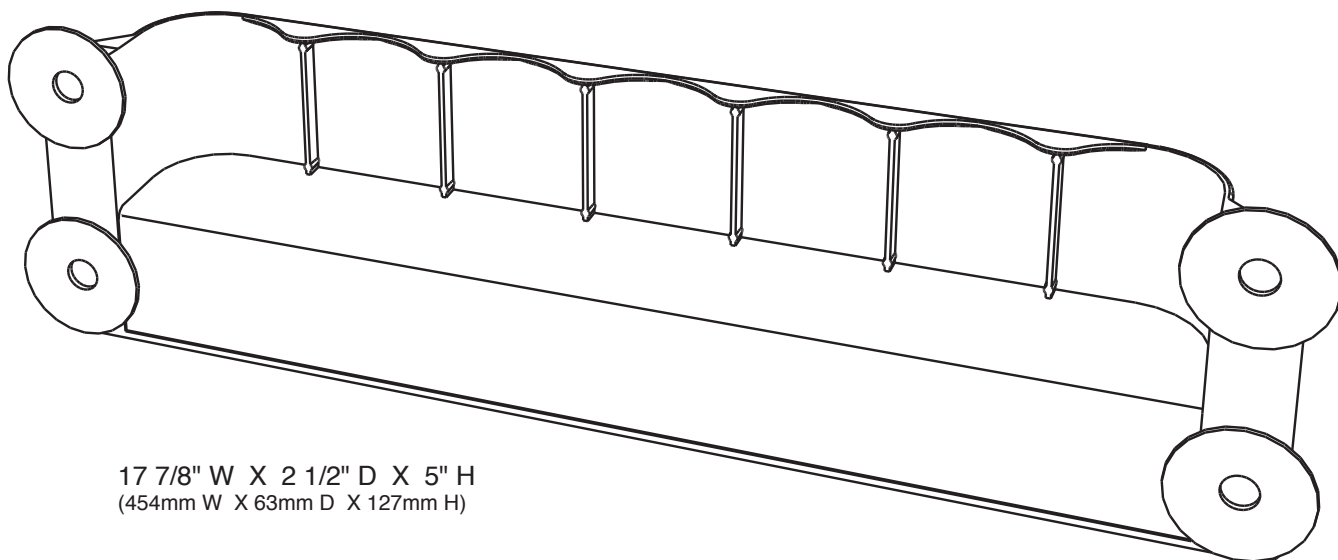
NYSKO BV-3

Cooler Door Shelf



Increase the visibility of self serve cold product

- Easy to install
- Durable clear plastic construction
- Fits inside most refrigerated cooler doors
- Printed labels available
- Holds 7 of the following cans:
 - Energy drink cans (Approx 8 oz.)
 - Energy drink cans (Approx 6.5 oz.)
- 2.09" (53mm) Maximum diameter of products



17 7/8" W X 2 1/2" D X 5" H
(454mm W X 63mm D X 127mm H)

Label Size: 14 3/4" W X 1 3/4" H (375mm W X 44mm H)

Injection molded clear plastic

Packs 10 per carton

Approximate carton size - 18 1/4" W X 16 1/2" D X 5 3/4" H (464mm W X 419mm D X 146mm H)

Weight per carton approximately 8 lbs (3.63k.g.)

Ships from Hawthorne, NY

CALL FOR QUOTES